

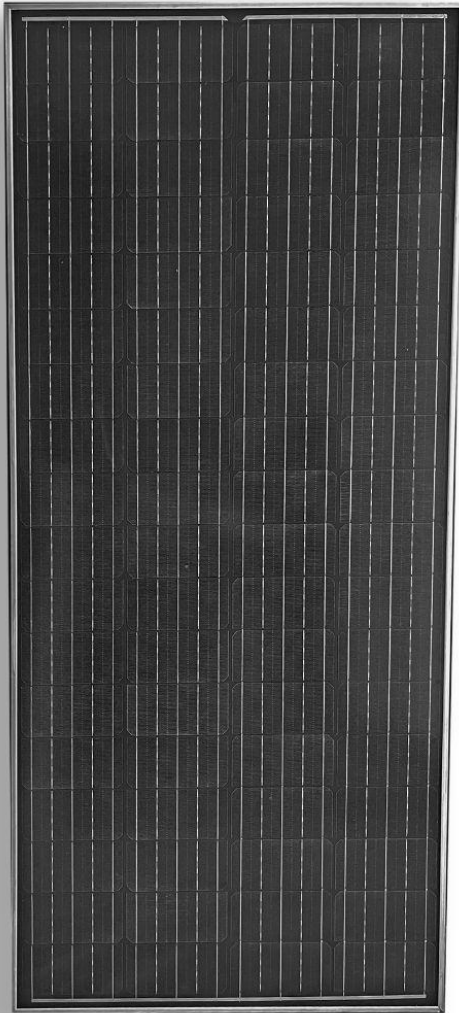


SolarHexx

RV & Marine

Solar Accessories Kit

Recommended with M190w SolarHexx Panels



HEXX TRAVELER

190W

Description

Our black backsheet + monocrystalline cell layout is stylish and slick. The Traveler lineup is specifically designed for RV and Marine use, and includes vibration dampening technology to prolong product life. Not only does this module produce superior power output, but also maintains charge-level voltage in partial shading conditions.

Features

- Stylish design
- High-efficiency grade A+ cells
- Breathable frame for maximum cooling
- MC4 connectors & junction box included
- Sturdy aluminium frame
- Locally made in Canada

We can add mounting feet!

Four Z brackets fastened by us using anti-vibration technology



We support customizations. Need a specific voltage, cell configuration, size, or wattage? We can accommodate.



www.solarhexx.com

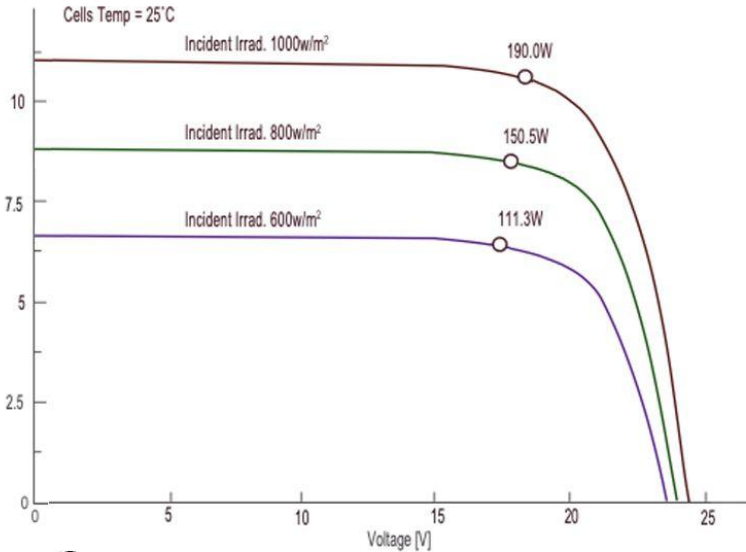


SolarHexx

M-190W

Solar Module

VI Spec Curve



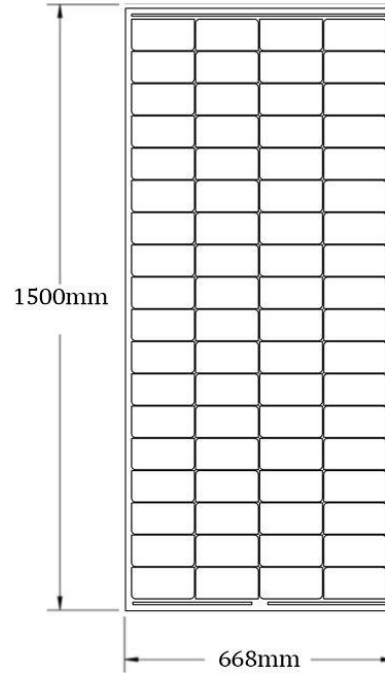
Specs

— 1000 W/m²

Rated power (Pm)	190W
Maximum power voltage (Vmp)	18V
Maximum power current (Imp)	10.55A
Open circuit voltage (Voc)	21.6V
Short circuit current (Isc)	10.95A
Power coefficient	-0.30% / °C
Voltage coefficient	-0.28% / °C
Current coefficient	0.045% / °C
Max power tolerance	+/- 5W
Cell type	Monocrystalline
Module efficiency	21%
Series fuse rating	15A
Maximum system voltage	600VDC
Weight	26.4 lb (12 kg)
Dimensions	59.1 x 26.3 x 1.58 in 1500 x 668 x 35 mm
Materials	Clear anodized aluminum frame; tempered glass
Warranty (Power Output)	25 years

Power Specifications calculated at STC:

- Irradiance: 1000 W/m²
- Cell Temperature: 77 °F (25 °C)v
- Air Mass: 1.5



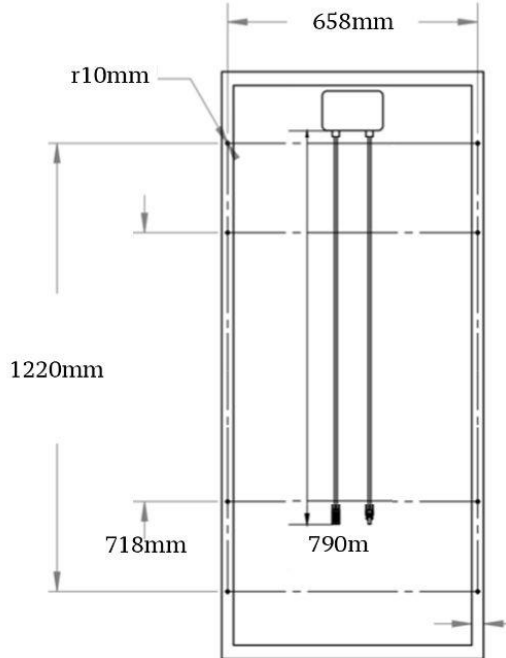
MC4 Negative



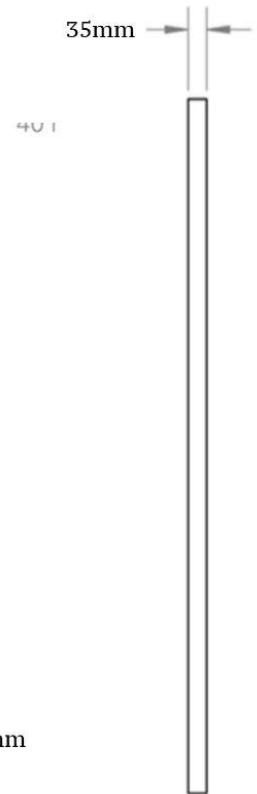
MC4 Positive

MC4 Connectors

Dimensions



Back Profile



Side Profile



www.solarhexx.com